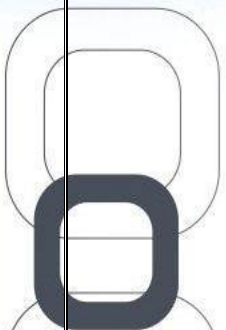
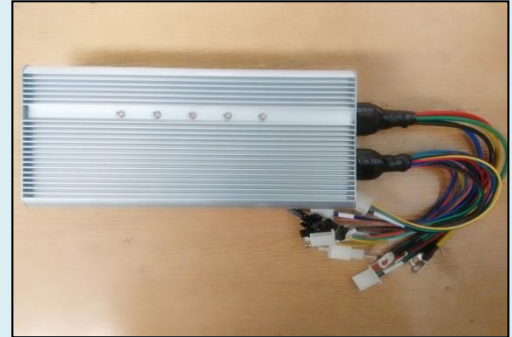


# BLDC MOTOR CATALOGUE

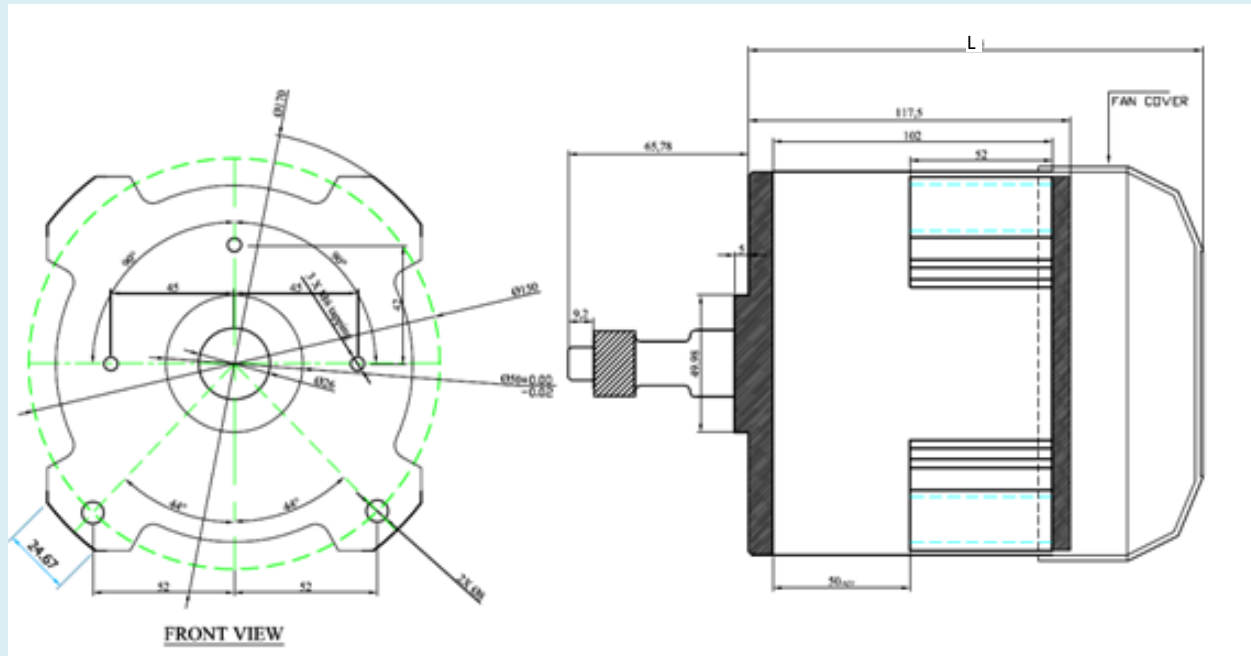


## SPECIFICATIONS OF BLDC 125/1D:



<b>Motors type</b>	<b>BLDC</b>
<b>Frame size:</b>	<b>BLDC 125/1D,</b>
<b>Power (watt)</b>	<b>400</b>
<b>Current (Amp)</b>	<b>9</b>
<b>Voltage range <math>\pm</math>Variation</b>	<b>48 V DC, (<math>\pm</math> 10%)</b>
<b>Speed (RPM)</b>	<b>3000</b>
<b>Motor poles</b>	<b>20</b>
<b>Hall Sensor</b>	<b>5 Volts</b>
<b>Mounting</b>	<b>Flange</b>
<b>Degree of protection</b>	<b>IP 55</b>
<b>Class of insulation</b>	<b>F</b>
<b>Ambient Temp. / Max Temp.</b>	<b>50° C / 70° C</b>
<b>Duty / Rating</b>	<b>S1/ continuous</b>
<b>Direction of rotation</b>	<b>Bi-directional</b>
<b>Cooling</b>	<b>Shaft mounted fan</b>
<b>Seal</b>	<b>Front and back seals are provided</b>

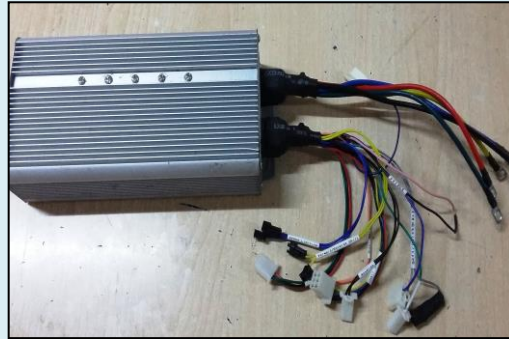
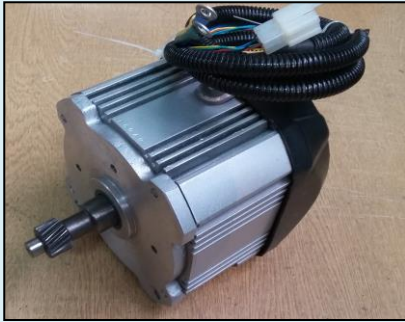
### Dimensional detail:



TYPE	BLDC MOTOR
Model No.	125/1D
Total length(L)	135
Flange size	140
Mounting diameter	50
Shaft length	65.78
Shaft diameter	12
Gear Diameter	23.99
Centre Mounting holes (M6)	42
Side Mounting holes (M6)	45
Mounting holes (M8)	52
Paint colour	Grey
Weight	5

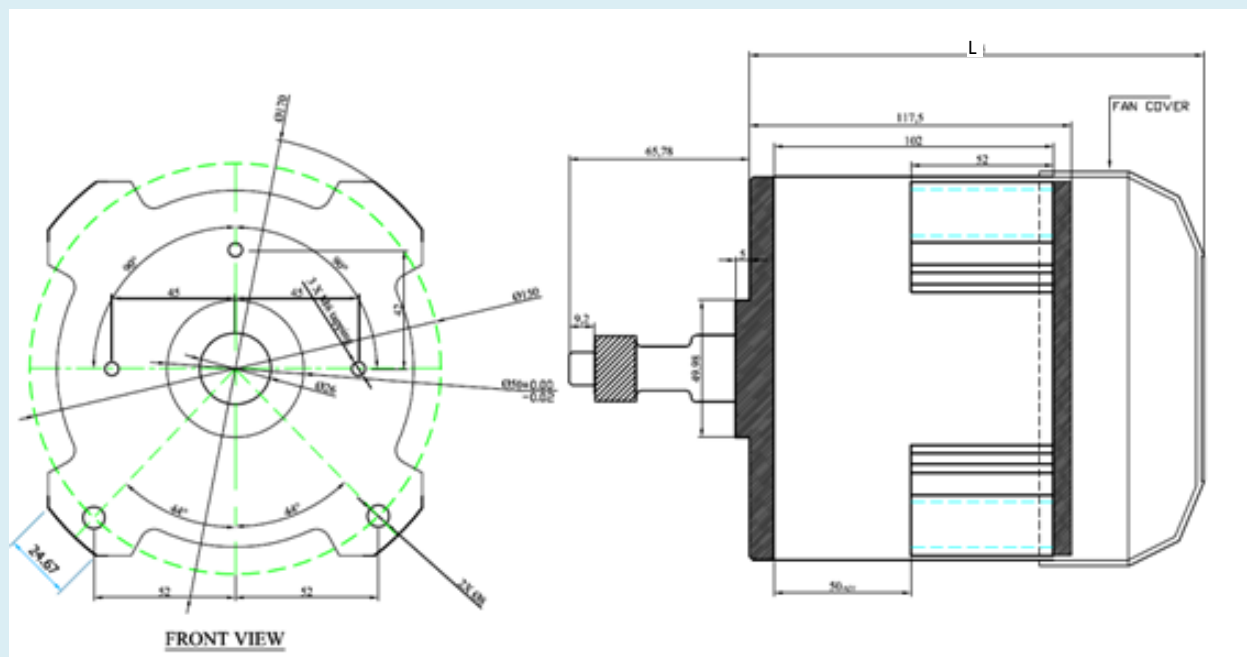
All dimensions are in mm/Kg

## SPECIFICATIONS OF BLDC 125/2D:



<b>Motors type</b>	<b>BLDC</b>
<b>Frame size:</b>	<b>BLDC 125/2D,</b>
<b>Power (watt)</b>	<b>850</b>
<b>Current (Amp)</b>	<b>18.5</b>
<b>Voltage range <math>\pm</math>Variation</b>	<b>48 V DC, (<math>\pm</math> 10%)</b>
<b>Speed (RPM)</b>	<b>3000</b>
<b>Motor poles</b>	<b>20</b>
<b>Hall Sensor</b>	<b>5 Volts</b>
<b>Mounting</b>	<b>Flange</b>
<b>Degree of protection</b>	<b>IP 55</b>
<b>Class of insulation</b>	<b>F</b>
<b>Ambient Temp. / Max Temp.</b>	<b>50° C / 70° C</b>
<b>Duty / Rating</b>	<b>S1/ continuous</b>
<b>Direction of rotation</b>	<b>Bi-directional</b>
<b>Cooling</b>	<b>Shaft mounted fan</b>
<b>Seal</b>	<b>Front and back seals are provided</b>

## Dimensional detail



TYPE	BLDC MOTOR
Model No.	125/2D
Total length(L)	145
Flange size	140
Mounting diameter	50
Shaft length	65.78
Shaft diameter	12
Gear Diameter	23.99
Centre Mounting holes (M6)	42
Side Mounting holes (M6)	45
Mounting holes (M8)	52
Paint colour	Green
Weight	6.5

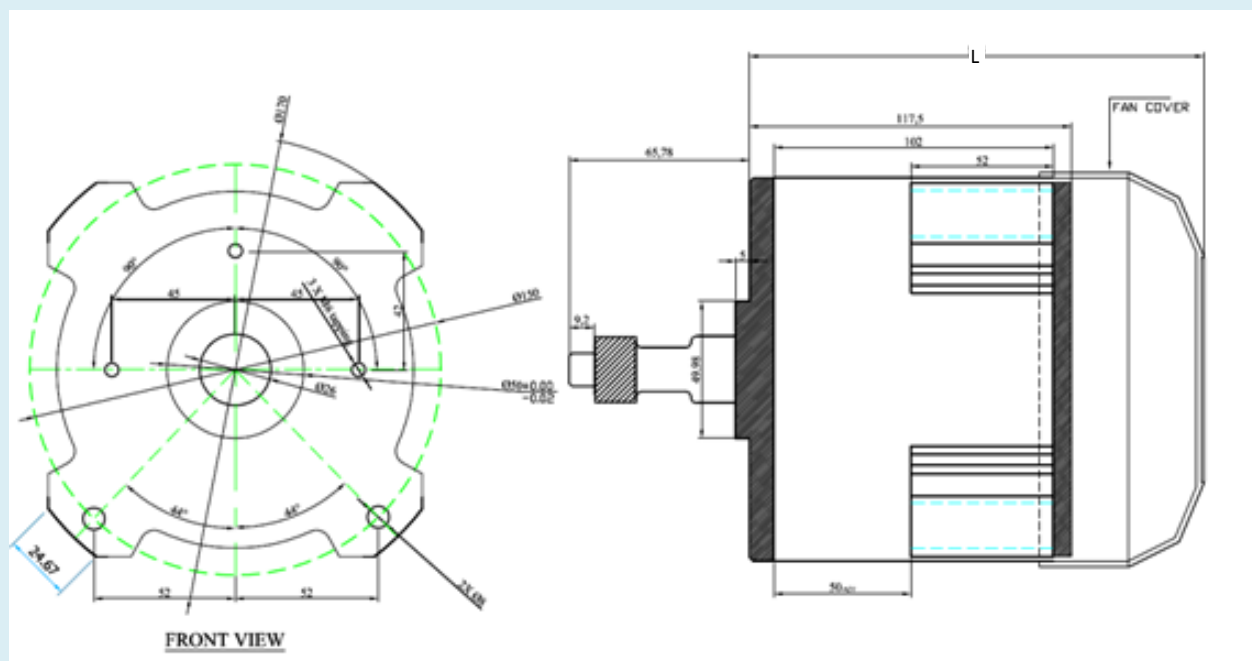
All dimensions are in mm/Kg

## SPECIFICATIONS OF BLDC 125/2D:



<b>Motors type</b>	<b>BLDC</b>
<b>Frame size:</b>	<b>BLDC 125/2D,</b>
<b>Power (watt)</b>	<b>1000</b>
<b>Current (Amp)</b>	<b>22.0</b>
<b>Voltage range ±Variation</b>	<b>48 V DC, (± 10%)</b>
<b>Speed (RPM)</b>	<b>3000</b>
<b>Motor poles</b>	<b>8</b>
<b>Hall Sensor</b>	<b>5 Volts</b>
<b>Mounting</b>	<b>Flange</b>
<b>Degree of protection</b>	<b>IP 55</b>
<b>Class of insulation</b>	<b>F</b>
<b>Ambient Temp. / Max Temp.</b>	<b>50° C / 70° C</b>
<b>Duty / Rating</b>	<b>S1/ continuous</b>
<b>Direction of rotation</b>	<b>Bi-directional</b>
<b>Cooling</b>	<b>Shaft mounted fan</b>
<b>Seal</b>	<b>Front and back seals are provided</b>

## Dimensional detail



TYPE	BLDC MOTOR
Model No.	125/2D
Total length(L)	145
Flange size	40
Mounting diameter	50
Shaft length	65.78
Shaft diameter	12
Gear Diameter	23.99
Centre Mounting holes (M6)	42
Side Mounting holes (M6)	45
Mounting holes (M8)	52
Paint colour	Grey
Weight	6.5

All dimensions are in mm/Kg

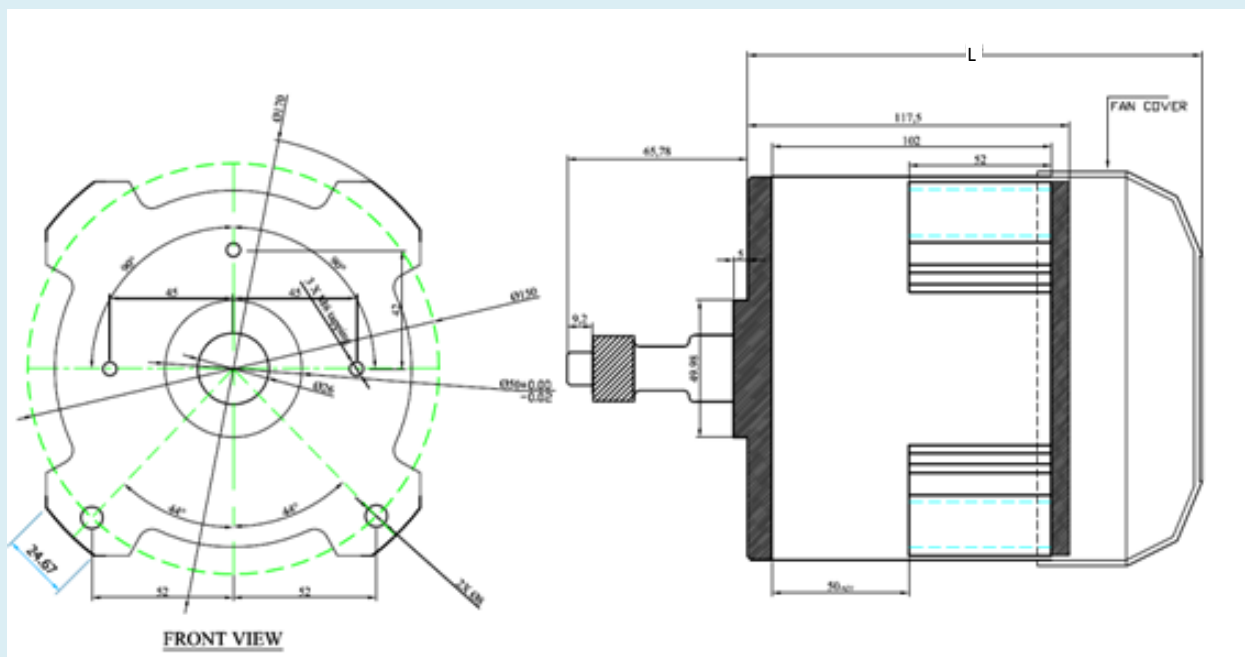
## SPECIFICATIONS OF BLDC 125/3D:



<b>Motors type</b>	<b>BLDC</b>
<b>Frame size:</b>	<b>BLDC 125/3D,</b>
<b>Power (watt)</b>	<b>1250</b>
<b>Current (Amp)</b>	<b>26.0</b>
<b>Voltage range ±Variation</b>	<b>48 V DC, (± 10%)</b>
<b>Speed (RPM)</b>	<b>3000</b>
<b>Motor poles</b>	<b>20</b>
<b>Hall Sensor</b>	<b>5 Volts</b>
<b>Mounting</b>	<b>Flange</b>
<b>Degree of protection</b>	<b>IP 55</b>
<b>Class of insulation</b>	<b>F</b>
<b>Ambient Temp. / Max Temp.</b>	<b>50° C / 70° C</b>
<b>Duty / Rating</b>	<b>S1/ continuous</b>
<b>Direction of rotation</b>	<b>Bi-directional</b>
<b>Cooling</b>	<b>Shaft mounted fan</b>
<b>Seal</b>	<b>Front and back seals are provided</b>



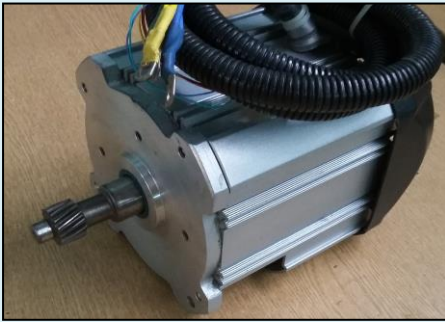
## Dimensional detail



TYPE	BLDC MOTOR
Model No.	125/3D
Total length(L)	165
Flange size	140
Mounting diameter	50
Shaft length	65.78
Shaft diameter	12
Gear Diameter	23.99
Centre Mounting holes (M6)	42
Side Mounting holes (M6)	45
Mounting holes (M8)	52
Paint colour	Blue
Weight	7.35

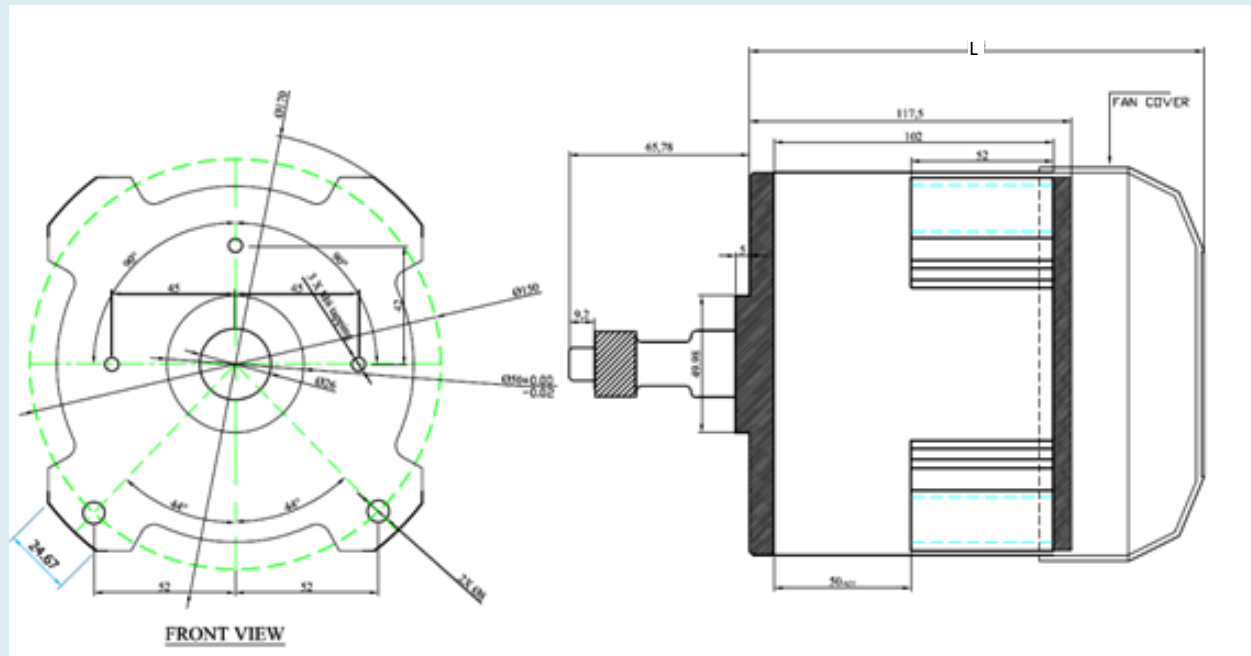
All dimensions are in mm/Kg

## SPECIFICATIONS OF BLDC 125/4D:



<b>Motors type</b>	<b>BLDC</b>
<b>Frame size:</b>	<b>BLDC 125/4D,</b>
<b>Power (watt)</b>	<b>1500</b>
<b>Current (Amp)</b>	<b>32.0</b>
<b>Voltage range ±Variation</b>	<b>48 /60 V DC, (± 10%)</b>
<b>Speed (RPM)</b>	<b>3000</b>
<b>Motor poles</b>	<b>8</b>
<b>Hall Sensor</b>	<b>5 Volts</b>
<b>Mounting</b>	<b>Flange</b>
<b>Degree of protection</b>	<b>IP 55</b>
<b>Class of insulation</b>	<b>F</b>
<b>Ambient Temp. / Max Temp.</b>	<b>50° C / 70° C</b>
<b>Duty / Rating</b>	<b>S1/ continuous</b>
<b>Direction of rotation</b>	<b>Bi-directional</b>
<b>Cooling</b>	<b>Shaft mounted fan</b>
<b>Seal</b>	<b>Front and back seals are provided</b>

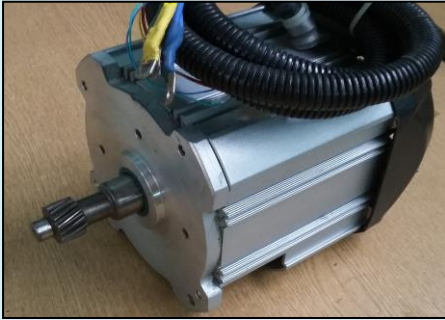
## Dimensional detail



TYPE	BLDC MOTOR
Model No.	125/4D
Total length(L)	185
Flange size	140
Mounting diameter	50
Shaft length	65.78
Shaft diameter	12
Gear Diameter	23.99
Centre Mounting holes (M6)	42
Side Mounting holes (M6)	45
Mounting holes (M8)	52
Paint colour	Grey
Weight	9.4

All dimensions are in mm/Kg

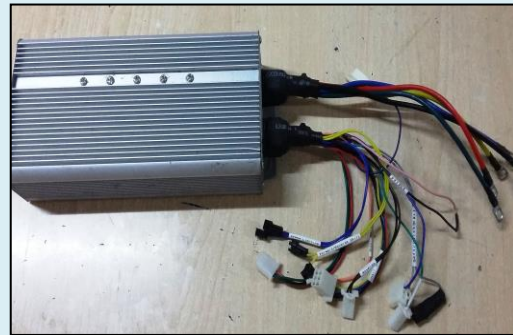
## SPECIFICATIONS OF BLDC 125/4D:



<b>Motors type</b>	<b>BLDC</b>
<b>Frame size:</b>	<b>BLDC 125/4D,</b>
<b>Power (watt)</b>	<b>2000</b>
<b>Current (Amp)</b>	<b>42.0</b>
<b>Voltage range <math>\pm</math>Variation</b>	<b>48 /60 V DC, (<math>\pm</math> 10%)</b>
<b>Speed (RPM)</b>	<b>3000</b>
<b>Motor poles</b>	<b>8</b>
<b>Hall Sensor</b>	<b>5 Volts</b>
<b>Mounting</b>	<b>Flange</b>
<b>Degree of protection</b>	<b>IP 55</b>
<b>Class of insulation</b>	<b>F</b>
<b>Ambient Temp. / Max Temp.</b>	<b>50° C / 70° C</b>
<b>Duty / Rating</b>	<b>S1/ continuous</b>
<b>Direction of rotation</b>	<b>Bi-directional</b>
<b>Cooling</b>	<b>Shaft mounted fan</b>
<b>Seal</b>	<b>Front and back seals are provided</b>

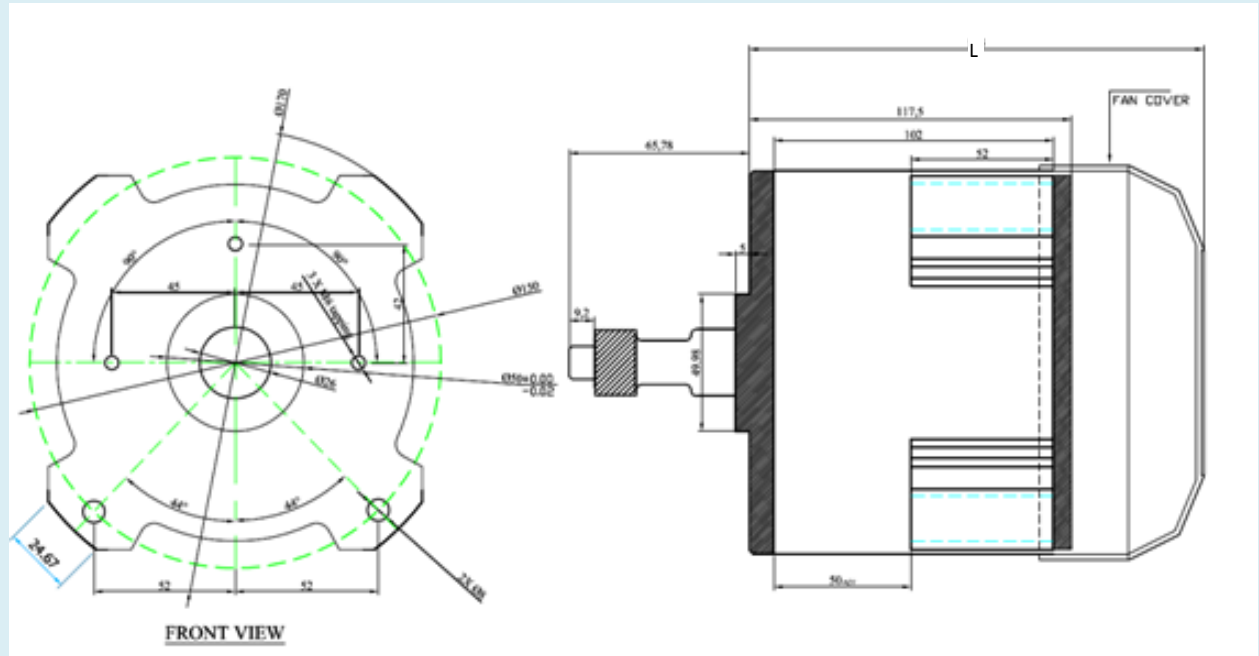


## SPECIFICATIONS OF BLDC 125/5D:



<b>Motors type</b>	<b>BLDC</b>
<b>Frame size:</b>	<b>BLDC 125/5D,</b>
<b>Power (watt)</b>	<b>2500</b>
<b>Current (Amp)</b>	<b>35.0</b>
<b>Voltage range ±Variation</b>	<b>60/72 V DC, (± 10%)</b>
<b>Speed (RPM)</b>	<b>3000</b>
<b>Motor poles</b>	<b>8</b>
<b>Hall Sensor</b>	<b>5 Volts</b>
<b>Mounting</b>	<b>Flange</b>
<b>Degree of protection</b>	<b>IP 55</b>
<b>Class of insulation</b>	<b>F</b>
<b>Ambient Temp. / Max Temp.</b>	<b>50° C / 70° C</b>
<b>Duty / Rating</b>	<b>S1/ continuous</b>
<b>Direction of rotation</b>	<b>Bi-directional</b>
<b>Cooling</b>	<b>Shaft mounted fan</b>
<b>Seal</b>	<b>Front and back seals are provided</b>

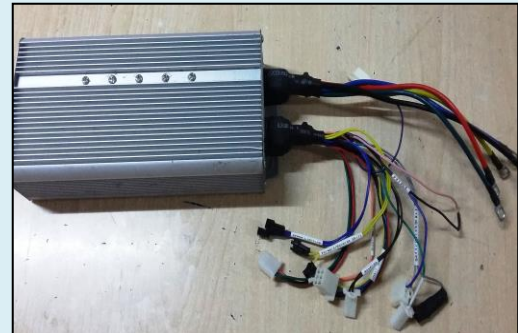
## Dimensional detail



TYPE	BLDC MOTOR
Model No.	125/5D
Total length(L)	205
Flange size	140
Mounting diameter	50
Shaft length	65.78
Shaft diameter	12
Gear Diameter	23.99
Centre Mounting holes (M6)	42
Side Mounting holes (M6)	45
Mounting holes (M8)	52
Paint colour	Grey
Weight	11

All dimensions are in mm/Kg

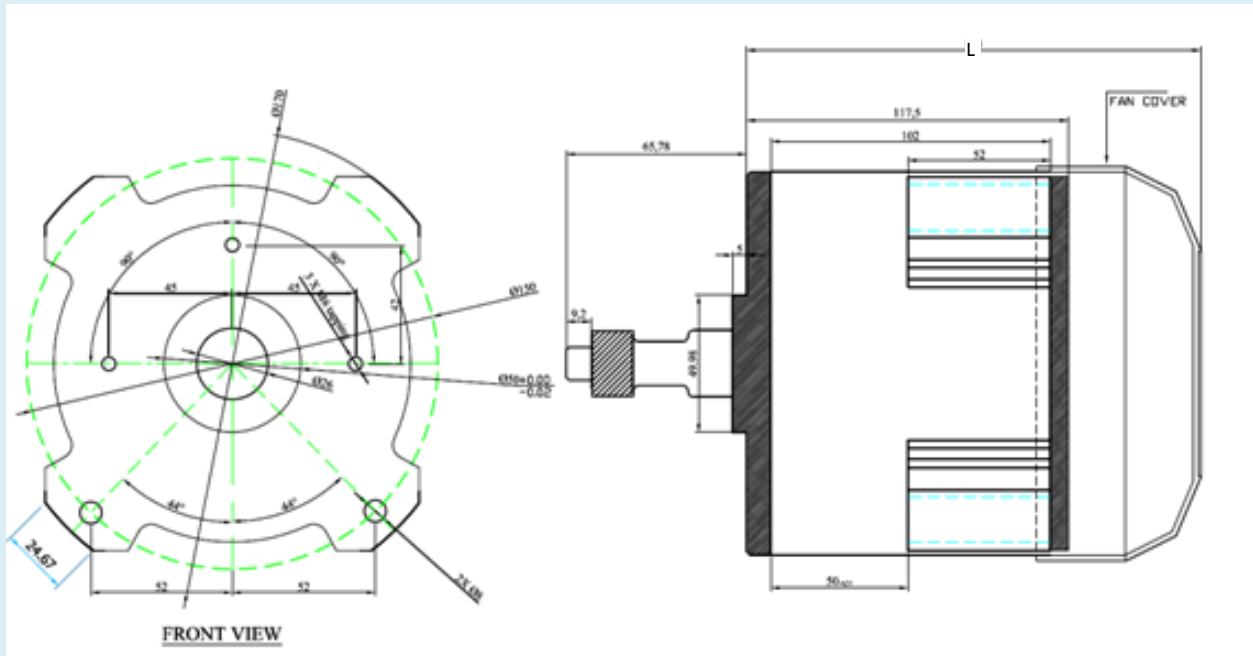
## SPECIFICATIONS OF BLDC 125/6D:



<b>Motors type</b>	<b>BLDC</b>
<b>Frame size:</b>	<b>BLDC 125/6D,</b>
<b>Power (watt)</b>	<b>3500</b>
<b>Current (Amp)</b>	<b>48.6</b>
<b>Voltage range <math>\pm</math>Variation</b>	<b>72 V DC, (<math>\pm</math> 10%)</b>
<b>Speed (RPM)</b>	<b>3000</b>
<b>Motor poles</b>	<b>8</b>
<b>Hall Sensor</b>	<b>5 Volts</b>
<b>Mounting</b>	<b>Flange</b>
<b>Degree of protection</b>	<b>IP 55</b>
<b>Class of insulation</b>	<b>F</b>
<b>Ambient Temp. / Max Temp.</b>	<b>50° C / 70° C</b>
<b>Duty / Rating</b>	<b>S1/ continuous</b>
<b>Direction of rotation</b>	<b>Bi-directional</b>
<b>Cooling</b>	<b>Shaft mounted fan</b>
<b>Seal</b>	<b>Front and back seals are provided</b>



## Dimensional detail

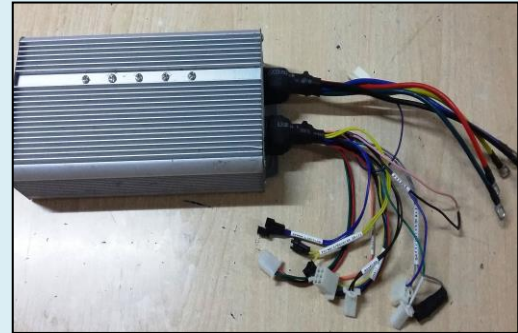


TYPE	BLDC MOTOR
Model No.	125/6D
Total length(L)	225
Flange size	140
Mounting diameter	50
Shaft length	65.78
Shaft diameter	12
Gear Diameter	23.99
Centre Mounting holes (M6)	42
Side Mounting holes (M6)	45
Mounting holes (M8)	52
Paint colour	Black
Weight	12.5

**All dimensions are in mm/Kg**

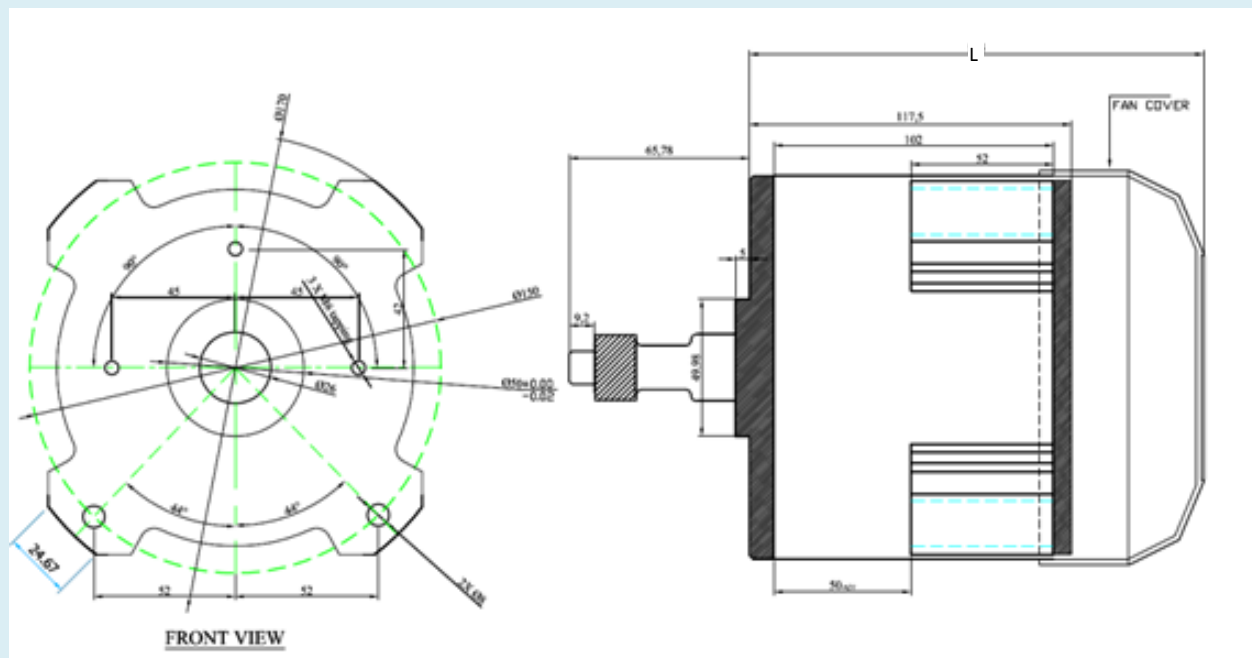
NOTE: This manual is provisional and the dimensions are subjected to change without Notice.

## SPECIFICATIONS OF BLDC 125/8D:



<b>Motors type</b>	<b>BLDC</b>
<b>Frame size:</b>	<b>BLDC 125/8D,</b>
<b>Power (watt)</b>	<b>6000</b>
<b>Current (Amp)</b>	<b>83</b>
<b>Voltage range ±Variation</b>	<b>72 V DC, (± 10%)</b>
<b>Speed (RPM)</b>	<b>3000</b>
<b>Motor poles</b>	<b>8</b>
<b>Hall Sensor</b>	<b>5 Volts</b>
<b>Mounting</b>	<b>Flange</b>
<b>Degree of protection</b>	<b>IP 55</b>
<b>Class of insulation</b>	<b>F</b>
<b>Ambient Temp. / Max Temp.</b>	<b>50° C / 70° C</b>
<b>Duty / Rating</b>	<b>S1/ continuous</b>
<b>Direction of rotation</b>	<b>Bi-directional</b>
<b>Cooling</b>	<b>Shaft mounted fan</b>
<b>Seal</b>	<b>Front and back seals are provided</b>

## Dimensional detail



TYPE	BLDC MOTOR
Model No.	125/8D
Total length(L)	329.5
Flange size	140
Mounting diameter	50
Shaft length	65.78
Shaft diameter	12
Gear Diameter	23.99
Centre Mounting holes (M6)	42
Side Mounting holes (M6)	45
Mounting holes (M8)	52
Paint colour	Black
Weight	12.5

**All dimensions are in mm/Kg**

NOTE: This manual is provisional and the dimensions are subjected to change without Notice.